

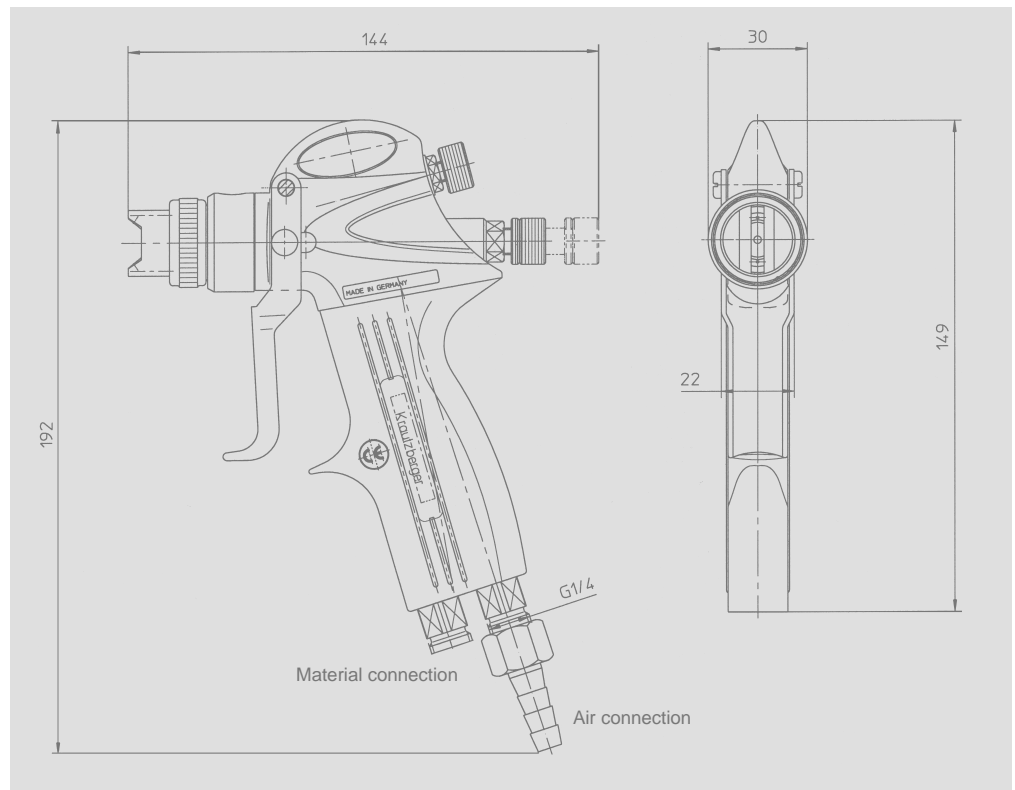
**Mignon 3  
Material feed  
in gun handle**

The Mignon 3 is a high-performance all-round spray gun meeting the highest standards. The ergonomically shaped handle is made of a lightweight, solvent-resistant plastic. The main element is made of surface-finished, forged aluminium.

One of the special features of the Mignon 3 is the detachable head section of the gun. This section is made of aluminium and is also available in stainless steel design on request. This version is designed for use with water borne paints.

With this version, the material feed is via the handle; there is therefore no material feed hose at the front of the gun, and this improves handling and also ensures fatigue-free operation.

Material volume regulation via the needle stroke adjuster with lock nut permits fine, stepless adjustment. The separate stepless flat jet regulator is mounted on the rear of the pistol and therefore ideal for use by both right-handed and left-handed operators. The material nozzle system is made of stainless steel. The generously dimensioned air ducts ensure improved air distribution and optimum spraying characteristics.



<b>Dimensions</b>	133 x 30 x 165 mm (length x width x height) Without cup and air connection nipple		
<b>Weight</b>	350 g		
<b>Air consumption</b>	Air pressure	Circular jet	Circular + flat jet (measured with DN6 hose)
	3 bar	225 NI/min	300 NI/min
	4 bar	280 NI/min	380 NI/min
	5 bar	335 NI/min	465 NI/min

**Parts in contact with the coating substance**

The parts of the spray gun that come into contact with the coating material are made of aluminium or stainless steel (head section) and stainless steel (material needle and nozzle) as well as brass and plastic (gaskets).

**Special accessories**

Nozzle extensions: these are particularly suitable for use when coating cavities (e.g. pipes, canisters, tins or other containers).

**Technical data**

**Operating pressures / Operating temperature**

Max. material pressure: ..... 0.4 MPa (4 bar)  
 Max. material temperature (8 hrs contin. duty): ..... 43 °C  
 Max. atomiser air pressure: ..... 0.6 MPa (6 bar)  
 Max. air temperature: ..... 43 °C

**Connections**

Material connection in handle: ..... G1/4 AG  
 Atomiser air: ..... hose NW 8/9 mm or G1/4 AG

**Weight**

without material cup ..... approx. 350 g

**Noise emission**

Contin. sound pressure level, nozzle-dependent: .... 73 to 96 dB (A)



Pistol body / Parts in contact with coating substance	Stainless steel		Aluminium											
	+	x	0.20	0.30	0.40	0.50	0.65	0.80	1.00	1.20	1.50	1.80	2.00	2.50
<b>Air nozzle / Brass, nickel-plated / mm</b>														
Rotary jet "D"	-	-	-	-	-	-	x	x	x	x	x	x	x	x
Flat / Circular	-	x	-	x	x	x	x	x	x	x	x	-	-	-
Flat / Circular "B"	-	+	-	+	+	+	+	+	+	-	-	-	-	-
Flat / Circular "BE"	-	-	-	-	+	-	-	-	-	-	-	-	-	-
Flat / Circular "DC"	-	-	-	-	-	-	-	-	x	-	-	-	-	-
Flat / Circular "MC" (Standard)	-	x	-	x	x	x	x	x	x	x	x	-	-	-
Flat / Circular "S"	-	-	-	-	-	-	-	-	-	-	x	-	-	-
Flat / Circular "T"	-	x	-	x	x	-	x	-	-	-	-	-	-	-
Hollow-cone rotary jet	+	+	+	+	+	+	+	+	+	+	+	+	+	+
Circular jet "R"	-	x	-	x	x	x	x	x	x	x	x	x	x	x
Full-cone rotary jet	+	+	+	+	+	+	+	+	+	+	+	+	+	+
Full-cone rotary jet VD 6	x	x	x	x	x	x	x	x	x	x	x	x	x	x
Full-cone rotary jet VD 8	x	x	x	x	x	x	x	x	x	x	x	x	x	x
<b>Air nozzle / Stainless steel / mm</b>														
Circular jet "R"	-	+	-	+	+	+	+	+	+	+	+	+	+	+
<b>Material nozzle / Stainless steel / mm</b>														
Rotary jet "D"	-	-	-	-	-	-	x	x	x	x	x	x	x	x
Rotary jet "HD"	-	+	-	+	+	+	-	-	-	-	-	-	-	-
Rotary jet "VD"	+	+	-	+	-	+	+	+	+	+	+	+	-	-
Flat / Circular "FL" (Standard)	x	x	-	x	x	x	x	x	x	x	x	x	-	-
Circular jet "R"	x	x	x	x	x	x	x	x	x	x	x	x	x	x
<b>Material nozzle / Stainless steel, hardened / mm</b>														
Rotary jet "D"	-	-	-	-	-	-	+	+	+	+	+	+	+	+
Flat / Circular "FL"	x	+	-	+	x	+	+	+	+	+	+	-	-	-
Circular jet "R"	+	+	-	+	-	+	+	+	+	+	+	-	-	-
<b>Material nozzle / POM / mm</b>														
Circular jet "R"	-	-	-	-	-	-	+	-	-	-	-	-	-	-
<b>Material needle / mm</b>														
Stainless steel (Standard)	x	x	-	x	x	x	x	x	x	x	x	x	x	x
Hardened	+	+	-	+	+	+	+	+	+	+	+	-	-	-
With protruding needle	-	-	-	+	+	+	+	+	+	+	+	-	-	-

x no surcharge + surcharge - not available

